

# EdgeVu Awning (H450)

## Technical Data Sheet

### Frame/Sash

- Architectural Grade 6063-T63 Aluminum
- Euro-Groove Mainframe/Sash
- Azo-Core Thermal Break (Mainframe/Sash)
- 45 Degree Mitered Mainframe/Sash Corners
- Silicone Injected Corner Keys
- 3-1/4" Overall Frame Depth
- 2-7/16" Exterior Sightlines
- 1-1/4" Pre-Punched Nail Fin
- Overlapping Sash to Mainframe

### Weather stripping

- Dual Bulb Seal Gaskets

### Glazing

- Beveled Exterior with Square Stop Interior
- Quanex Super Spacer
- 100% Silicone Wet Glaze
- Double/Triple Insulated Glass Options
- Annealed, Tempered, Laminated and Obscure Glass Options Available

### Hardware

- Stainless Steel 4-Bar Hinge
- Dual Low Profile Lock Levers Operating Multiple Lock Points
- Stainless Steel Hardware Available
- WOCD Available

### Mulling Options

- Continuous Frame Configurations
- Field Applied Structural Mulls

### Grid Options

- Grids Between the Glass
- Simulated Divided Lites

### Screen

- Flex Screen Standard

### Paint

- 2604/2605 FGIA High Performance Powder Coatings
- 30 Standard Colors
- Custom Colors available

EdgeVu Awning (H450)		
NAFS Rating	AW-PG70-C	
Design Pressure (P.S.F.)	70	
Air Infiltration at 25 MPH (cfm/ft <sup>2</sup> )	0.09	
Water Resistance	12	
U-Value (Based on Cardinal 366 Low-E/Argon Fill)	0.29	
SHGC (Based on Cardinal 366 Low-E/Argon Fill)	0.19	
<b>Frame Sizing</b>	<b>Width</b>	<b>Height</b>
Minimum	24"	24"
Maximum	72"	84"

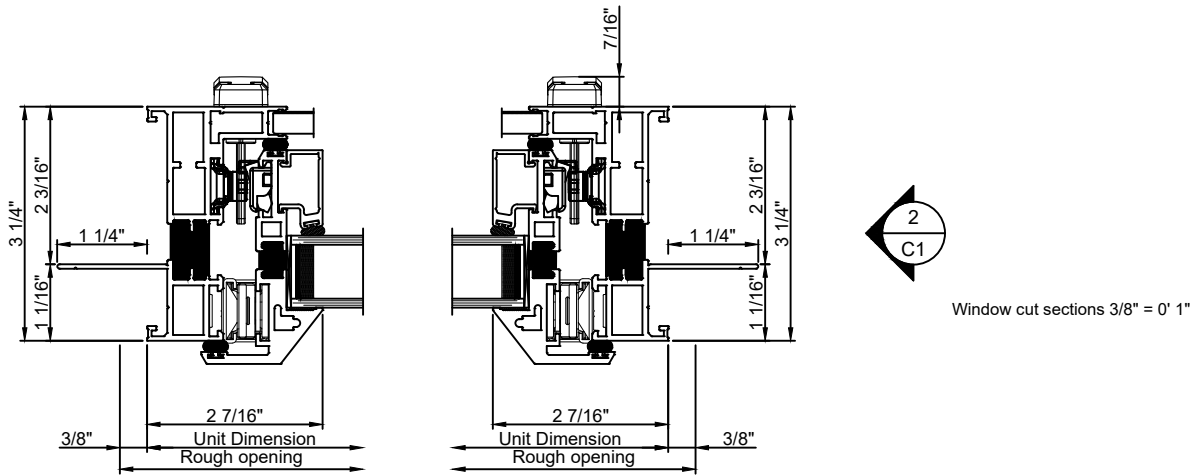


Quaker Window Products  
504 U.S. Hwy 63 South  
Freeburg, MO 65035  
(800) 347-0438  
[www.quakerresidentialwindows.com](http://www.quakerresidentialwindows.com)

Discover More Here:

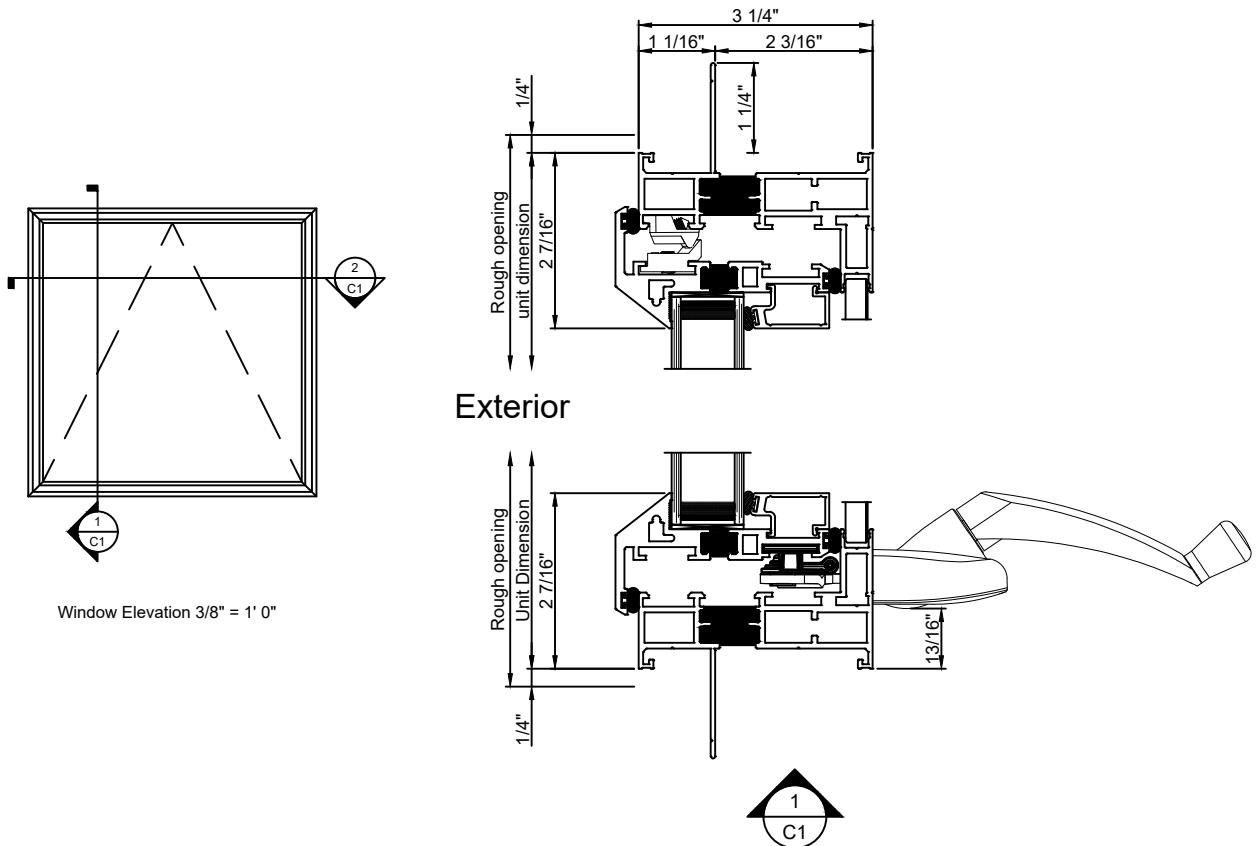


QTZ-EV-AWN-0324



Window cut sections 3/8" = 0' 1"

Exterior



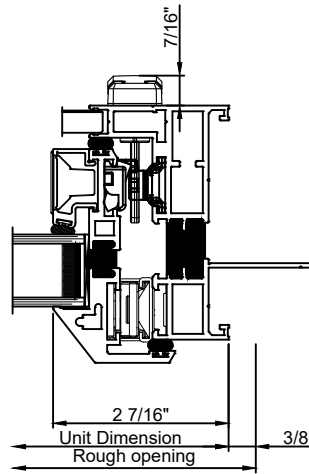
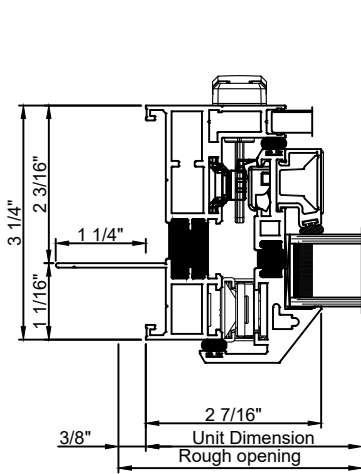
Window Elevation 3/8" = 1' 0"

Window cut sections 3/8" = 0' 1"

Note: All dimensions are approximate. Quaker reserves the right to change specifications without notice.

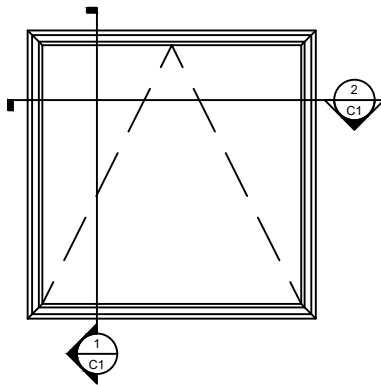
# EdgeVu (H450) Push Out Awning Window

Cross section details

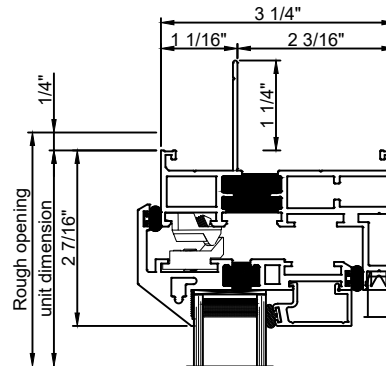


Window cut sections 3/8" = 0' 1"

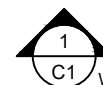
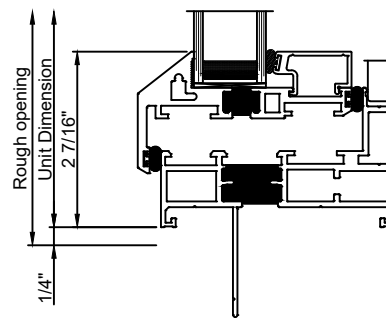
Exterior



Window Elevation 3/8" = 1' 0"

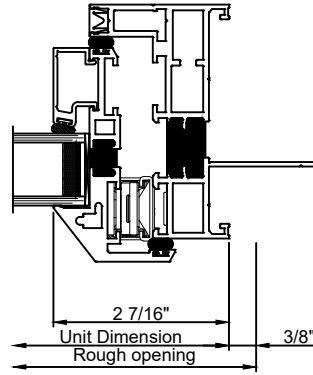
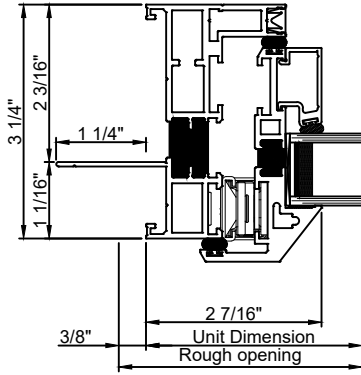


Exterior



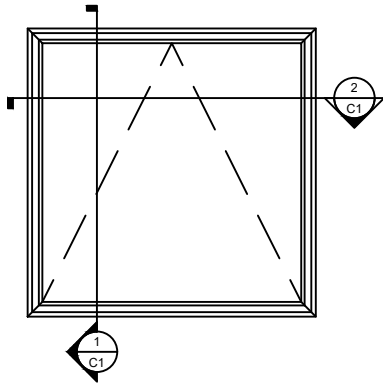
Window cut sections 3/8" = 0' 1"

Note: All dimensions are approximate. Quaker reserves the right to change specifications without notice.

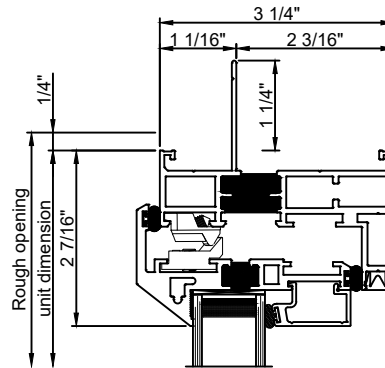


Window cut sections 3/8" = 0' 1"

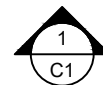
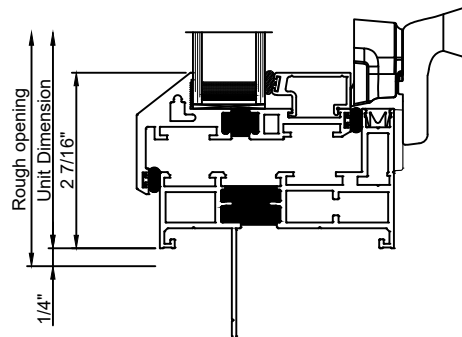
Exterior



Window Elevation 3/8" = 1' 0"



Exterior



Window cut sections 3/8" = 0' 1"

Note: All dimensions are approximate. Quaker reserves the right to change specifications without notice.